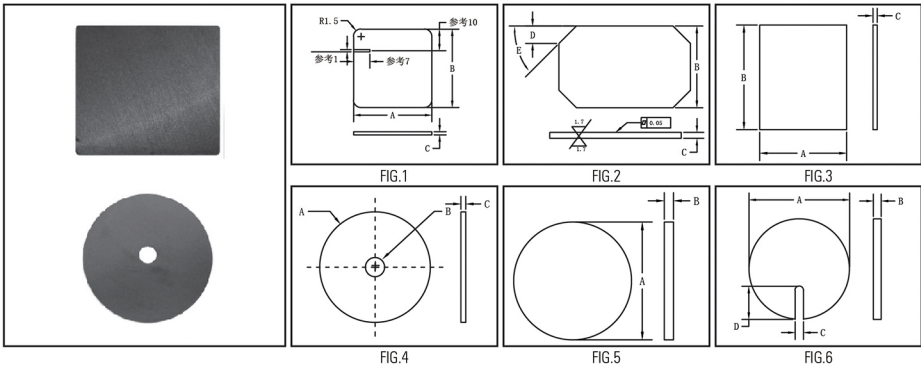


**B CORE**


TYPE	FIG.	Dimensions(mm)					Weight g/PCS
		A	B	C	D	E	
B32/30/0.5	1	32.0±0.3	30.0±0.5	0.5±0.1			2.30
B36.5/34.6/0.42	3	36.5±0.4	34.6±0.4	0.42±0.03			2.55
B44/35/0.4	3	44.0±0.4	35.0±0.4	0.4±0.03			2.96
B48.5/32.5/0.6	3	48.5±0.7	32.5±0.6	0.55±0.1			4.25
B50/50/0.5	3	50.0±1.0	50.0±1.0	0.5±0.1			6.00
B53.3/53.3/2.5	3	53.3±0.8	53.3±0.8	2.5±0.1			34.00
B53.5/48.5/0.8	3	53.5+0.8/-0.5	48.5+0.8/-0.5	0.8+0.2/-0			11.28
B53.5/53.5/0.9	3	53.5+0.8/-0.5	53.5+0.8/-0.5	0.9±0.1			12.40
B97.5/50/1.1	2	97.5±2.0	50.0±1.0	1.10±0.1	9.0±0.5	45.0±2.0	24.88
B34.74/5.4/1	4	34.74±0.76	5.4±0.4	1.0±0.1			4.43
B40/5.4/1	4	40.0±0.76	5.4±0.4	1.0±0.1			5.95
B50/5.3/0.8	4	50.0±0.8	5.3±0.4	0.8±0.1			7.46
B50/1	5	50.0±0.8	1.0±0.15				9.45
B50/0.9	6	50.0±0.8	0.9±0.1	1.5(Ref)	16(Ref)		8.50